



ANT-D5G-23

20dBi Outdoor Directional Antenna

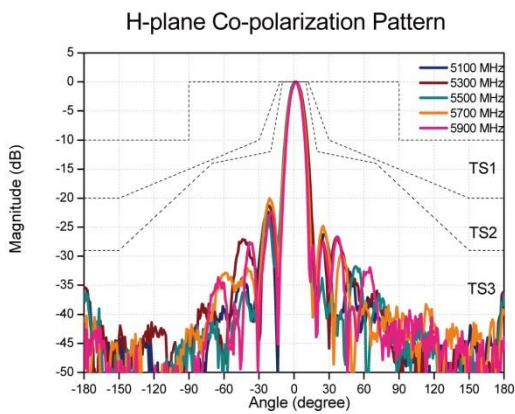
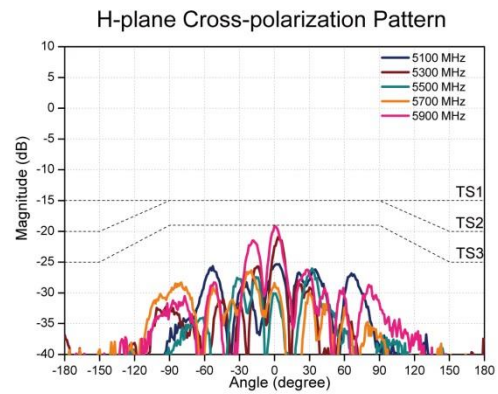
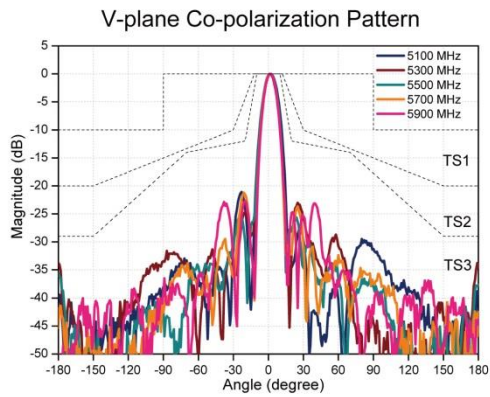
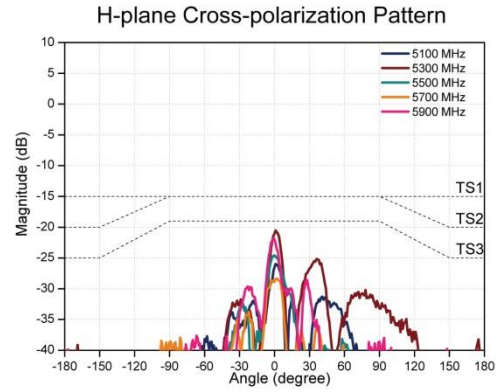
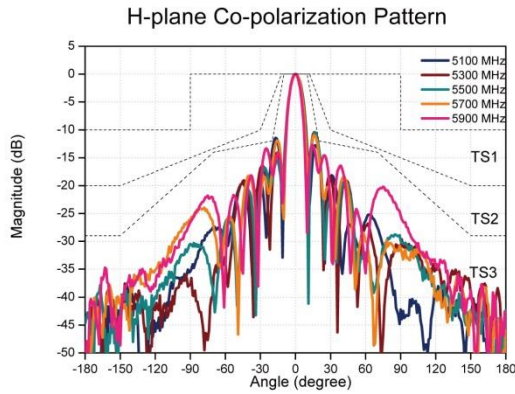


Electrical Specification

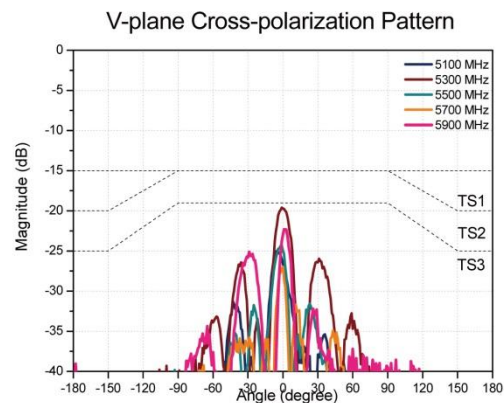
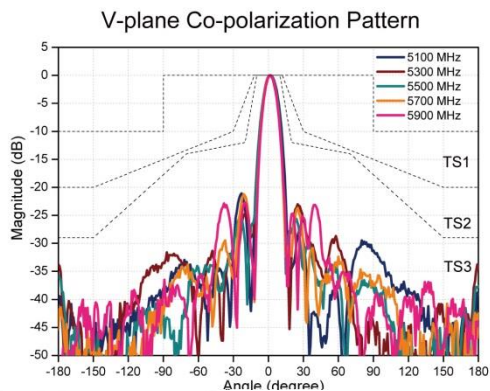
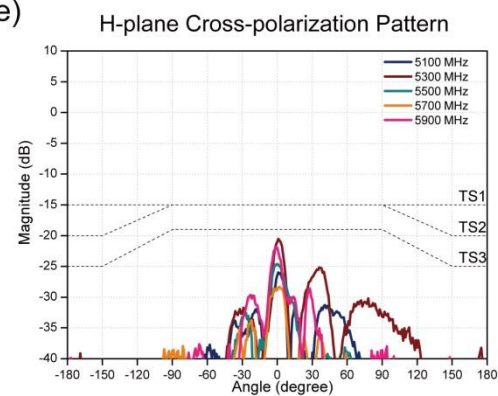
Frequency Range	5150 - 5875 MHz
Gain	20dBi
Polarization	Dual linear, $\pm 45^\circ$
Horizontal Beamwidth	10°
Vertical Beamwidth	10°
Front-to-back ratio	-30 dB (max.)
Input impedance	50 Ohm
Cable	N/A
Connector	N Jack x 2
Power Handling	6 W (cw)
Survival wind speed	216 km/hr
Temperature	-40°C to +80°C
Weight	1.245 kg(exclusive of mounting kit)
Dimensions	320 x 320 x 43 mm(include N jack)
IP Rating	IP67
Mounting kit	Pole & Wall mount
VSWR	2.0 : 1 (max.)
Standard compliance	N/A
Isolation	24 dB (min.)
Lightning protection	DC ground
Humidity	95% @ 55°C
Radome color	Gray-white
Radome material	PC, UV resistant(UL94 V-2)

Radiation Pattern

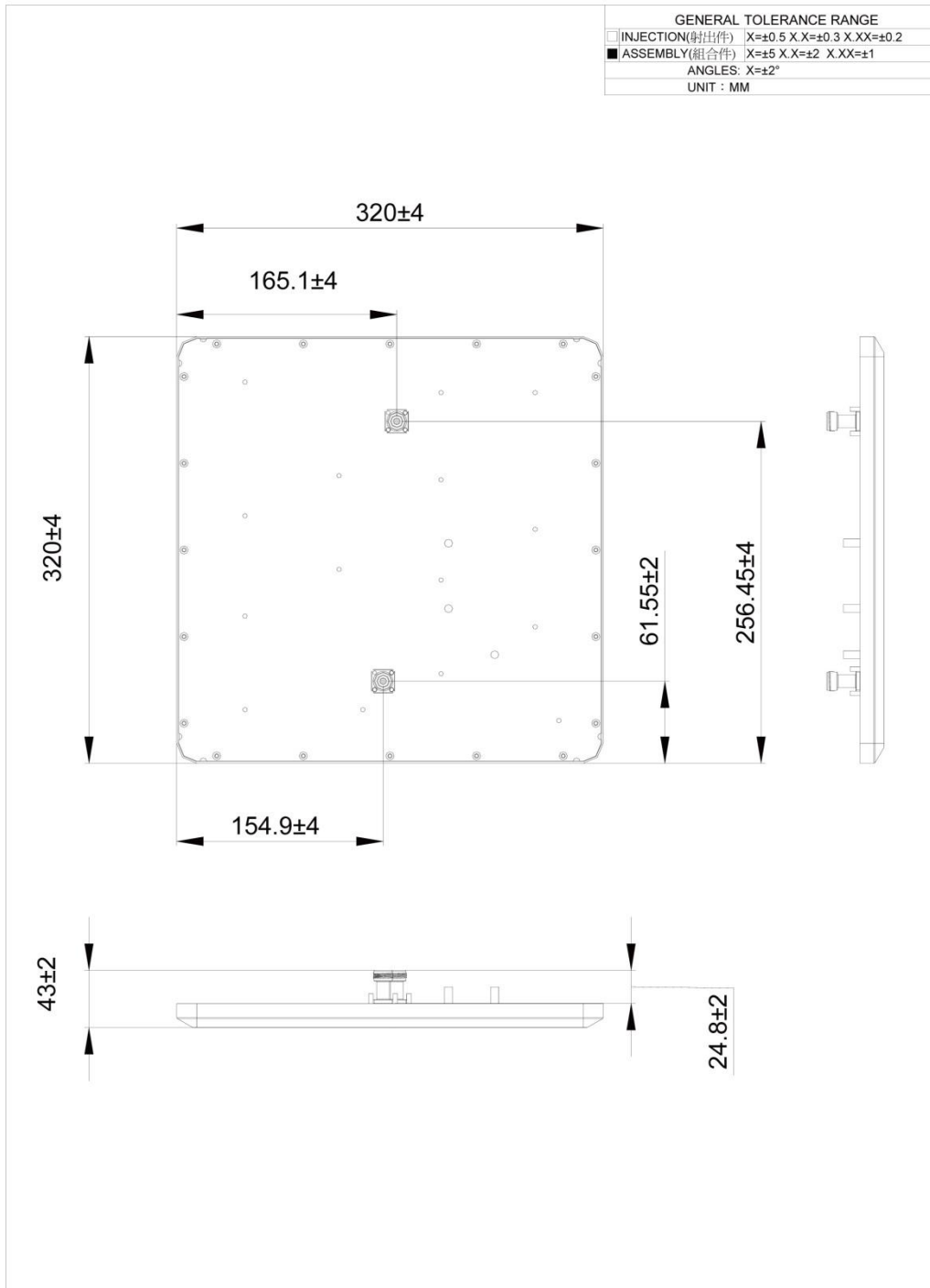
Port-1



Port-2(white)



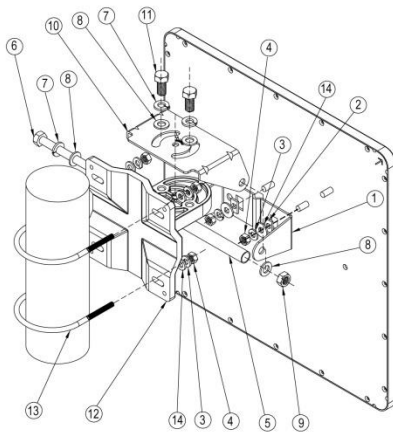
Product Drawing



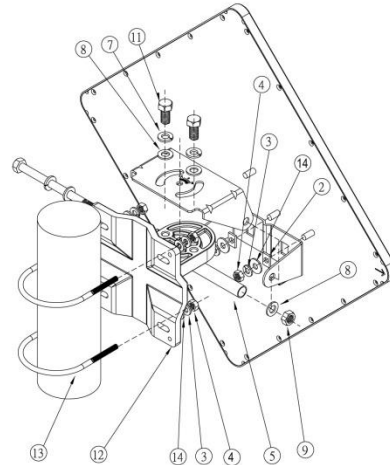
Mounting Configuration

Pole Mount

Slant \pm 45 Degree Polarization

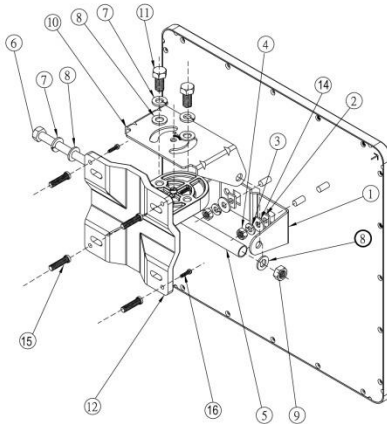


Hor. & Ver. Polarization

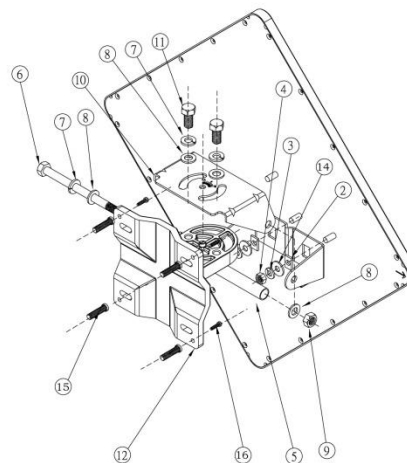


Wall Mount

Slant \pm 45 Degree Polarization



Hor. & Ver. Polarization



- | | |
|-----------------------|------|
| 1. M-Type breaket (L) | 1Pcs |
| 2. Space Keeper | 2Pcs |
| 3. Spaing washer | 6Pcs |
| 4. M6-1.0 Nut | 6Pcs |
| 5. Steel tube 93.2 mm | 1Pcs |
| 6. XHM8-1.25*120 | 1Pcs |
| 7. M8 spring washer | 3Pcs |
| 8. M8 washer | 4Pcs |
| 9. M8 Nut | 1Pcs |

- | | |
|------------------------|------|
| 10. Rotating bracket | 1Pcs |
| 11. XHM8-1.25*20 | 2Pcs |
| 12. Mounting main fram | 1Pcs |
| 13. U-Type Screw | 2Pcs |
| 14. M6 washer | 6Pcs |
| 15. Wall Tiger | 4Pcs |
| 16. TH 5/32-16*1" | 4Pcs |